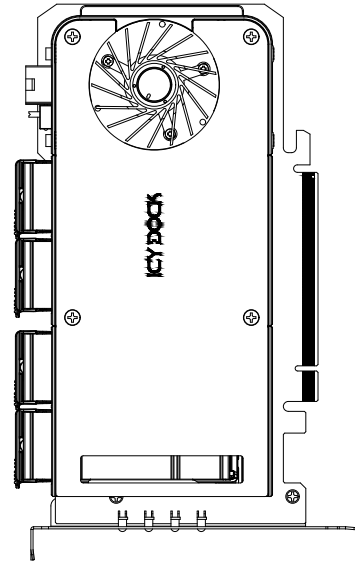
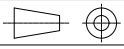


#6-32*6
(Suggest screw size)



APPLIED MODEL

CREMAX TECH CO., LTD.				
TITLE MB204MP-B 全组立图		 MATERIAL		TOLERANCE 10mm以下 ±0.1 10-50mm ±0.15 50mm以上 ±0.2 X° ±0.5°
DRAWN	DATE 2024/5/28	FINISHED		SCALE 1:1
CHECKED	DATE	PART NO.	UNIT mm	REV.
APPROVED	DATE	DWG. NO.	SHEET 1 OF 1	