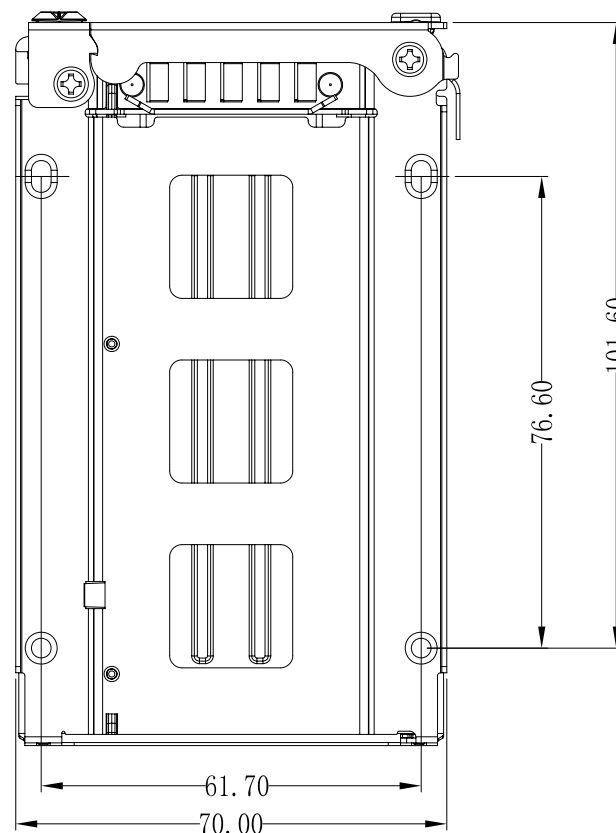
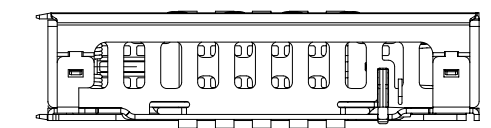
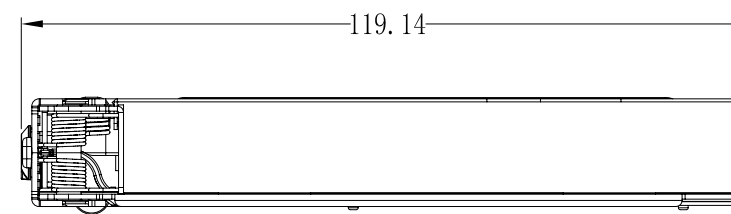
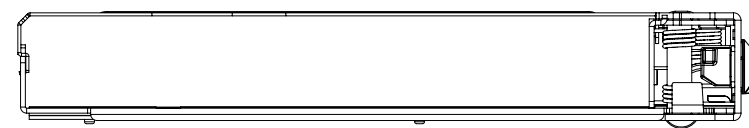
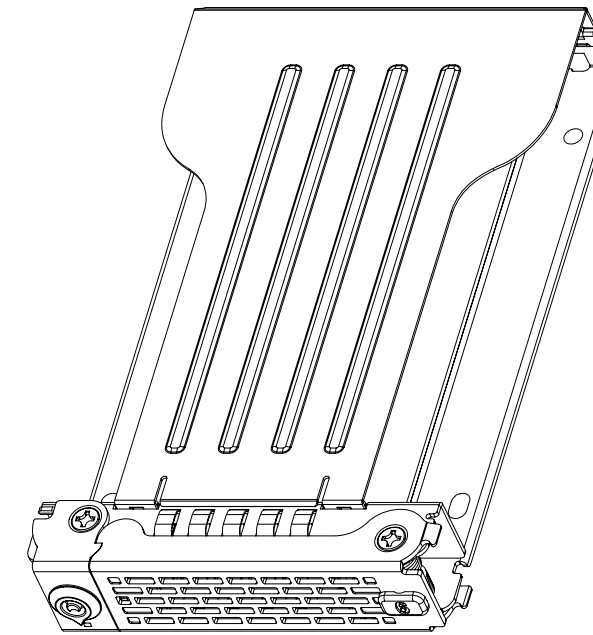
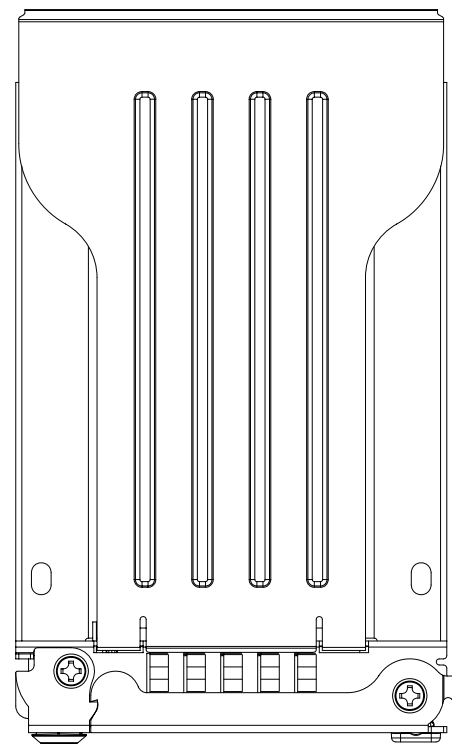


MARK	REVISED CONTENT	DATE	APPROVED
------	-----------------	------	----------



CREMAX TECH CO., LTD.

TITLE	MB994TK-B		MATERIAL	TOLERANCE
				X ±0.20 X.X ±0.10 X.XX ±0.05 X°.X" ±0.5"
DRAWN	DATE	FINISHED	SCALE	
庞朝誉	2014/06/23		FREE	
CHECHED	DATE	PART NO.	UNIT	REV.
			mm	1.0
APPROVED	DATE	DWG. NO.	SHEET 1 OF 1	

APPLIED MODEL